



A Natural Attraction

Telephone: (613) 392-2841
TTY: 613-395-6849
Fax: (613) 392-4893

Quinte West Water & Sewer

Installation of Water Meters

Please be advised that failure to comply with the City's requirements could result in disconnection of services until satisfactory conditions have been created.

The following guidelines shall apply.

Meters shall be installed in **clean, dry, heated, accessible locations, clear of any obstruction.** There will be straight pipe runs to the building control valve (main valve). Main valves shall be lockable. Meters shall be installed immediately following the main valve in a horizontal position, with a minimum twelve inches (12") clearance above the finished floor.

In general, it has been found inadvisable to locate meters in recreation rooms due to customer dissatisfaction. The laundry area or the furnace area where there is a floor drain is a good location, provided that the meter is located so that there is unrestricted access.

Water Meters shall not be Located in the Following Places:

- **Clothes closets**
- **Under stairways or landings**
- **Within two feet (2') radius of furnaces, oil tanks or hot water tanks or similar equipment**
- **Crawl spaces less than five feet (5') in height (if this is not possible/ practical, installation may be completed within two feet (2') of entry to crawlspace)**
- **Cold rooms**
- **Any cabinet (Kitchen or Bathroom)**

Meter Access Requirements

Except where a meter is installed in a pit

Serviceable access to the meter and a clear space of at least twenty four inches (24") radius (supporting structures or minimum clearance to finished floor not withstanding) around the meter shall be provided for all meters . Pit meter installations and regulations can be obtained by contacting Paul Belej, Superintendent of Water/Wastewater Services at 613-392-2841 x 4903 or by email at paulb@quintewest.ca

Bypass and Valving Required

A customer requiring a meter of two inches (2") or larger shall install a bypass. Bypass valves shall have provisions for sealing. Note: sealing to be carried out by authorized city staff. **All meter setups shall be installed with a valve immediately on outlet side of the meter to facilitate meter changing without loss of water.**

Installation Spacing

Flanged connection: a companion flange shall be installed on both ends of the meter setup, and the space left in the meter setup for installation of the meter

Union connection: threaded female coupling shall be installed on both ends of the plumbing lines of the meter setup, and the following space left for installation of the meter.

| Meter Size | Connection Type | Installation Space |
|-------------------|------------------------|-----------------------------|
| 5/8 Inch | Union | 13 inch space (residential) |
| 3/4 Inch | Union | 13 ½ Inch space |
| 1 Inch | Union | 16 ½ Inch space |
| 1 ½ Inch | Flanged | 14 ½ Inch space |
| 2 Inch | Flanged | 17 ½ inch Space |

NOTE: A jumper or spacer may be installed in this space in order that water may be turned on at the curb stop for testing, and that the contractor may have water prior to the meter being installed.

3/4 inch Meter spacer kits available upon request by contacting the City of Quinte West at 613-392-2841 ext.4909

Meters **may** be installed by a Licenced Plumber or *Water Meter Installer*, upon written approval by the Superintendent of Water /Wastewater Services. These meters will be made available to the plumber for installation if all conditions and policies of the City are met and kept in regard during meter installation. Water/Wastewater staff must be contacted for larger meters.

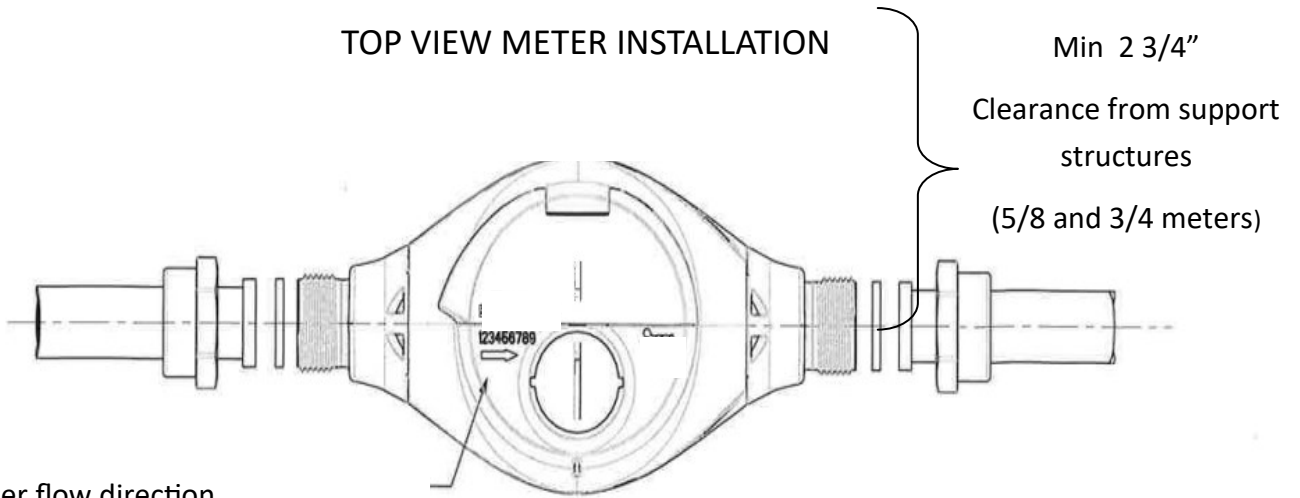
Plastic Water Service Pipe and Electrical Safety

Installation of plastic water service line not specifically rated for use with hot water shall include the installation of a check valve and an expansion tank as per OBC (7.6.1.10.(1) and 7.6.1.16.(1) respectively. If existing metallic pipe is being replaced with plastic pipe and the electrical panel is grounded to the metallic pipe the grounding must be replaced with alternate grounding means. Where metallic pipe exists on both sides of the meter, proper bonding is to be provided.

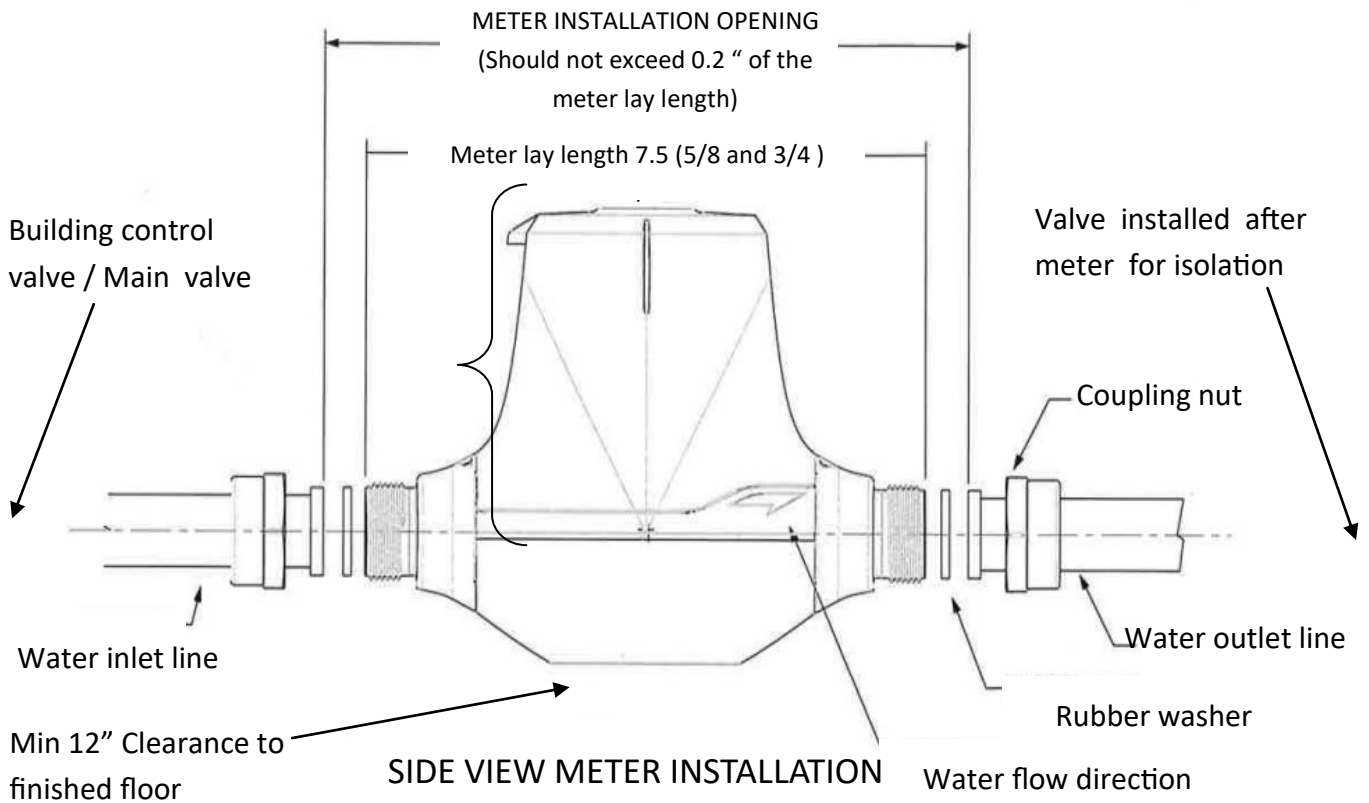
Curb Stops & Tampering

No person shall turn a City-owned curb stop for any reason. Call 613-392-2841 in the event of an After Hours emergency and say "WATER EMERGENCY" outside of regular business hours. During regular business hours, extensions 4451 or 4453 are to be contacted for an emergency. No person shall tamper with, connect, or disconnect any pipes ahead of or connected to any water meter.

TOP VIEW METER INSTALLATION



(Spacer kits available for 3/4 meters)



Water meters shall not be located in the following places: Cold Rooms ,Clothes closets, Under stair-ways or landings, Within two feet (2') of furnaces, oil tanks or hot water tanks or similar equipment , Crawl spaces less than five feet (5') in height, (see full guidelines for inabilities to comply) , Any Cabinet (Kitchen or Vanity)

Meter Access Requirement

Serviceable access and a clear Radius of at least twenty four inches (24") around the meter Shall be maintained